

FOTILE

USER MANUAL

Please read this instruction manual carefully before using

BUILT-IN INDUCTION HOB

EIG76203

Honorable user, thank you for your choice of FOTILE products. Please read through the manual to be familiar with the correct operation norms and enjoy the cooking.

Contents

| | |
|--|----|
| Warning And Safety Instructions | 2 |
| Packing List | 4 |
| Product Description | 4 |
| Installation Method | 5 |
| Trial Run | 6 |
| Instructions for Use | 6 |
| Precautions for Use | 9 |
| Cleaning | 9 |
| Instructions for Selection of Cookware | 10 |
| Performance and Specification | 10 |
| Problem Solving Guide | 11 |
| Explosive View | 12 |
| Customer Service | 13 |

Warning And Safety Instructions

The following classification is made and symbols are used to avoid hazards and property damage to users and others.

All these precautions are safety-related and should be followed. All users should use the induction hob after understanding all these precautions.

Classification by degree of hazard and damage

| | | |
|--|----------------|---|
| | DANGER | Ignoring this symbol and any improper operation may result in danger, serious injury, or fire. |
| | WARNING | Ignoring this symbol and any improper operation may result in danger, serious injury, or fire. |
| | CAUTION | Ignoring this symbol and any improper operation may result in personal injury or property damage. |

Symbols of caution and forbidden

| | | | | | | | | |
|-----------------|---------------------------------------|-----------|-----------|-----------|-------------------|-----------------|-------------------|--------------------|
| | | | | | | | | |
| Caution! Hot | Caution! Risk of Electric Shock | Mandatory | Grounding | Forbidden | No Open Flames | Do Not Touch | Do Not Operate | Do Not Disassem |

Warning: Any failures and losses caused by failure to follow the precautions in this User Manual are not covered by our free warranty, and we also do not assume any responsibility related. Please keep all documents properly.

Note: If case of any conflict between this Manual and applicable national laws, the latter shall prevail.

| DANGER | |
|--|--|
| <p> Do not use the induction hob in a place where it is wet or near fire when it is used as a countertop.</p> | <p> Do not place paper, cloth, or other unsuitable articles onto the induction hob heating panel for indirect heating to avoid burning caused by high temperature of the bottom of the cooker.</p> |
| <p> The induction hob has hazardous voltage and pulsed high voltage. It is strictly forbidden to disassemble it by unauthorized maintenance personnel!</p> | <p> Please unplug the power plug from the power socket and let the panel cool down before cleaning.</p> |

| WARNING | |
|---|---|
| <p> Do not heat foods in sealed containers, such as cans, as they may burst due to expansion.</p> | <p> Do not hit the panel. If cracking is found on the panel, cut off the power immediately and call the national service hotline of Fotile.</p> |
| <p> Do not heat foods in sealed containers, such as cans, as they may burst due to expansion.</p> | |

| CAUTION | |
|---|--|
| <p> Do not clean the induction hob with a steam cleaner!</p> | <p> Always clean the induction hob to prevent cockroaches from getting in the appliance and the fan, which may cause failures.</p> |
| <p> The appliance cannot be used by persons (including children) with reduced physical, sensory or mental capabilities, or lack of experience and knowledge, unless they have been given supervision or instruction concerning use of the appliance by a person responsible for their safety.</p> | <p> Only separate lines can be used for the product, Do not share lines with other electrical appliances.</p> |
| <p> Do not move the induction hob when cookware is sit on it or it is powered on.</p> | <p> Do not put metal objects such as knives, forks, spoons, and lids on the panel as they may be heated.</p> |
| <p> Do not touch the panel after cooking to prevent burns because it is very hot.</p> | <p> Do not heat empty pots.</p> |

⚠ CAUTION



Press the "Power" button to turn off the induction hob after use.



Children should be supervised to ensure that they do not play with the appliance.



The electromagnetic field generated by the induction hob will interfere with electronic heart pacemakers, so users with heart pacemakers should avoid the induction hob in use.



If the power cord is damaged, it should be replaced by qualified personnel of the service center of Fotile or similarly qualified persons in order to avoid a hazard.

Packing List

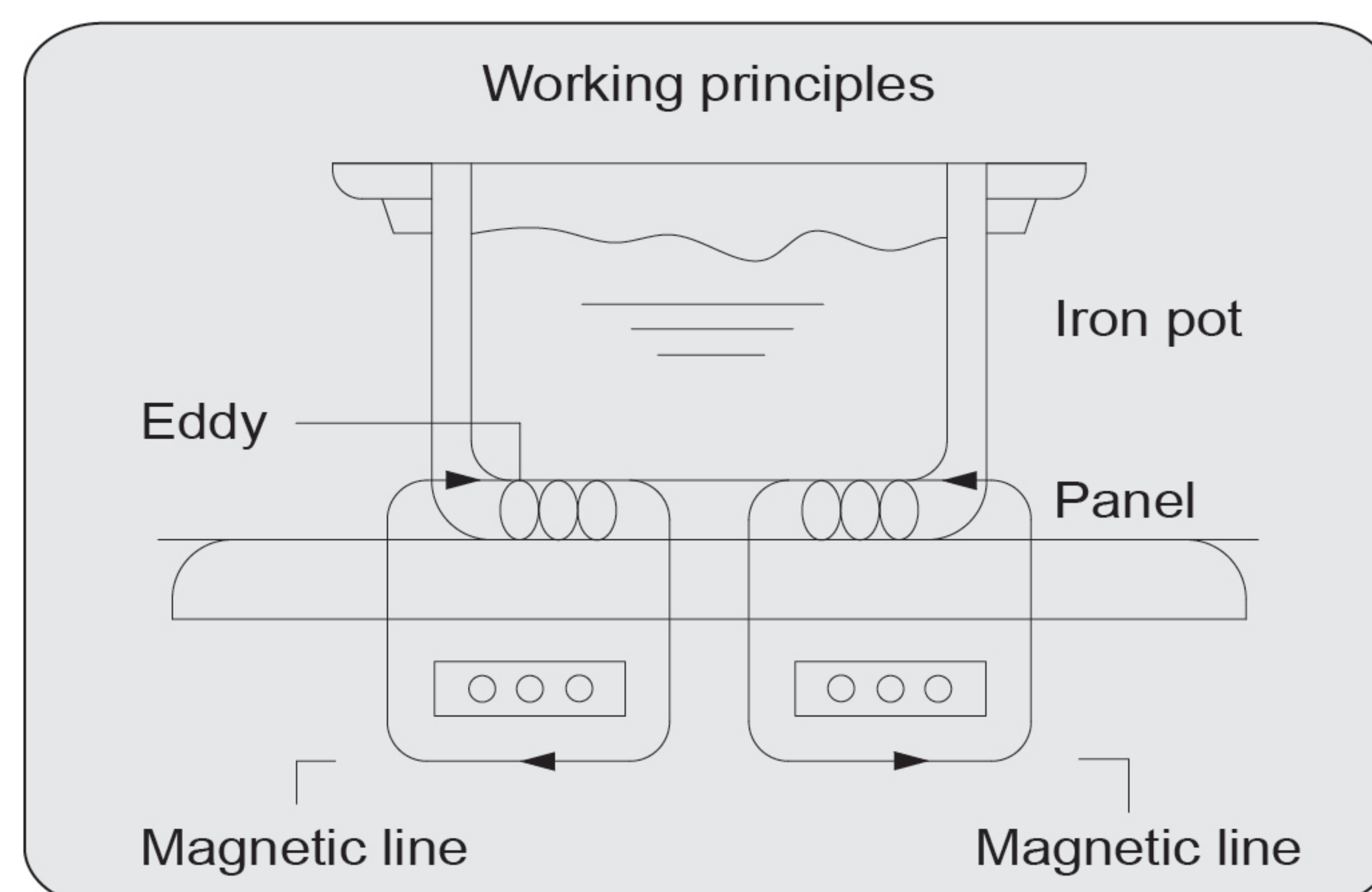
After the package is opened, please check whether each of the following products and accessories suffers from any defect or damage:

- In case the responsibility of such defect or damage lies with the company or the seller, please contact the seller;
- In case the responsibility of such defect or damage rests with the user, please call the national service hotline of Fotile.

| | | | |
|---------|---|---------------|---|
| Product | 1 | User Manual | 1 |
| Knob | 2 | Warranty card | 1 |

Product Description

The induction hob adopts the magnetic induction method for heating. It produces the magnetic field by allowing the high-frequency current to pass through the coils. When the magnetic lines of force inside the magnetic field reach the bottom of the iron pot, it results in numerous small eddies and the pot itself rapidly emits heat, thereby heating the food inside the pot. Iron pots should be used because pots of other materials are not magnetically permeable or have low magnetic permeability. (See the picture below for working principles)



Installation Method

1. Make openings in the countertop according to the size shown below. Pay attention to the difference in the sizes of openings when single and multiple units are installed.
2. The distance between the countertop and the partition should be no less than 160mm if no electrical appliance such as disinfection cabinets is installed below. A vent at least 150cm² (equivalent to 3 circular holes with a diameter of 80mm) should be opened at the back of the cupboard for ventilation and heat dissipation of the induction hob (Fig 1).
3. A vent at least 150cm² (equivalent to 3 circular holes with a diameter of 80mm) should be opened at the back of the cupboard and cuts of 400X120 should be made on the side panels of the cupboard for ventilation and heat dissipation of the induction hob if electrical appliances such as disinfection cabinets are installed below (Fig 2).
4. About wiring, the cross-sectional area of the copper core wire introduced should be no less than 2.5mm².
 - (1) This appliance does come with a plug preassembled the induction hob should be equipped with a 16A socket.
 - (2) This appliance does not come with a plug preassembled and it has to be connect power supply cord as product requirement.
5. It is recommended that the power cable of the induction hob be separately connected to a small circuit breaker capable of carrying 20A to ensure the induction hob work normally at the maximum power condition.
6. If the power plug cannot be reached after the hob is installed, it should be completed by a switch with fixed wiring that conforms to the wiring regulations, by which the power is cut off in case of maintenance or emergencies.

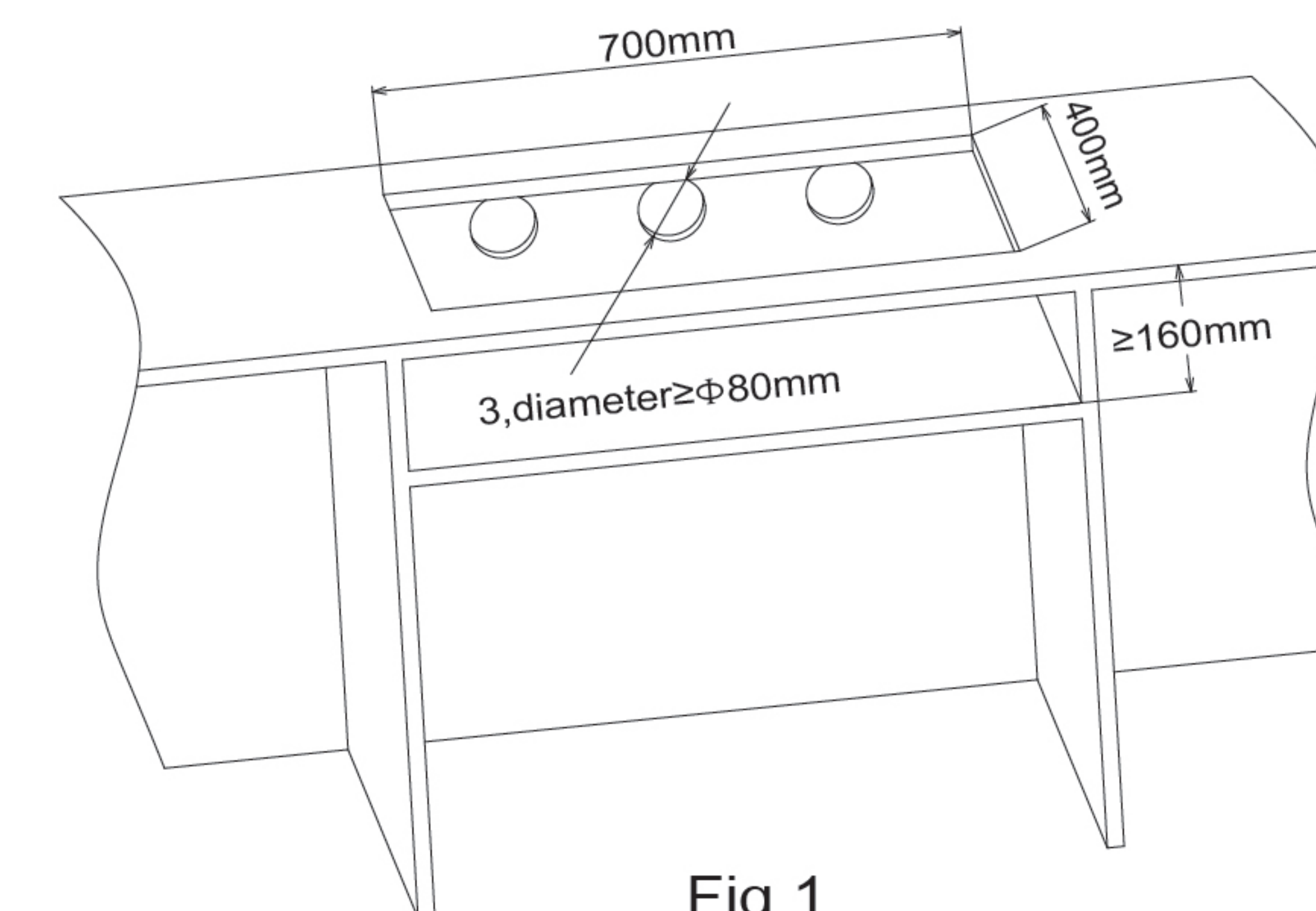


Fig 1

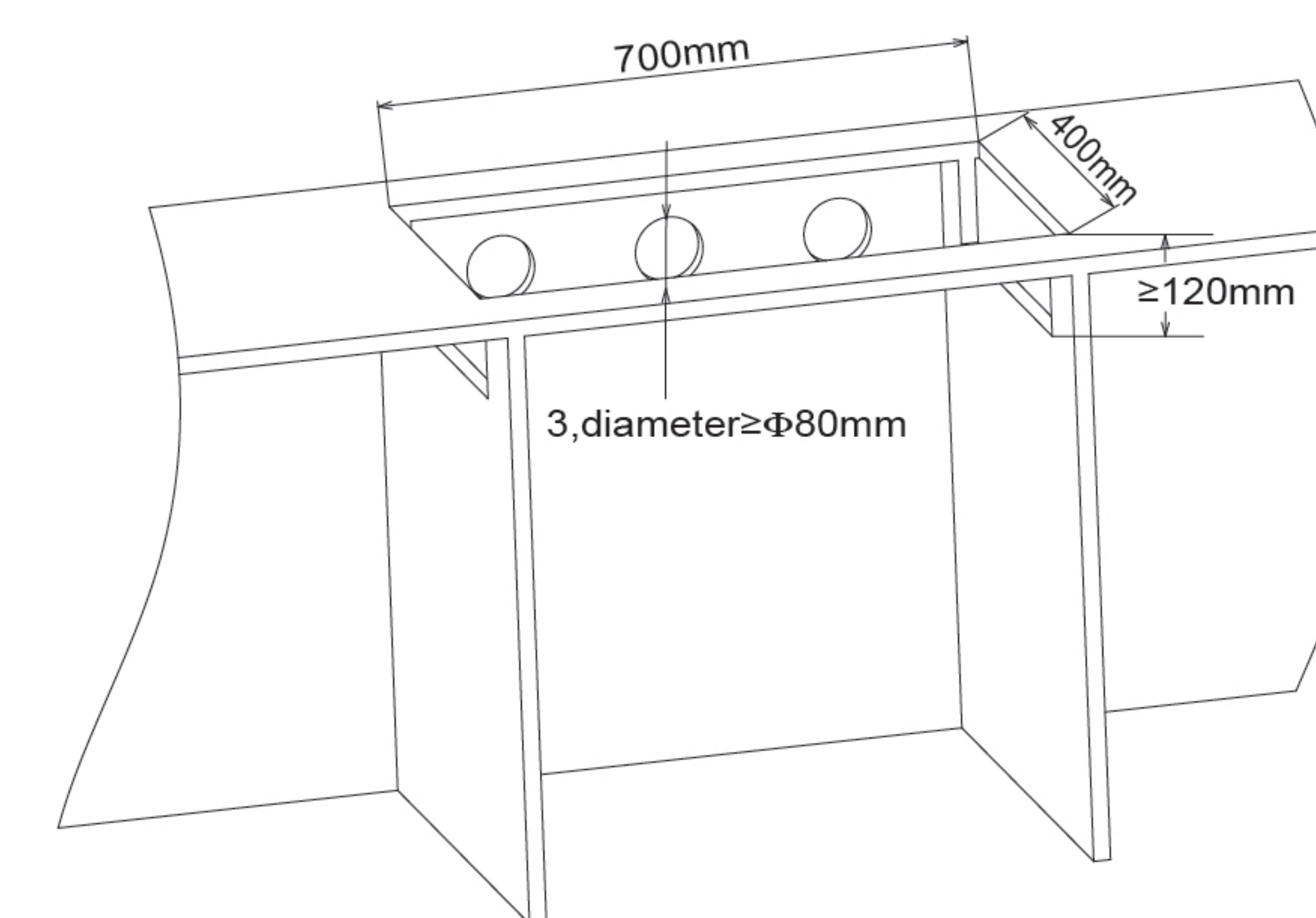


Fig 2

Trial Run

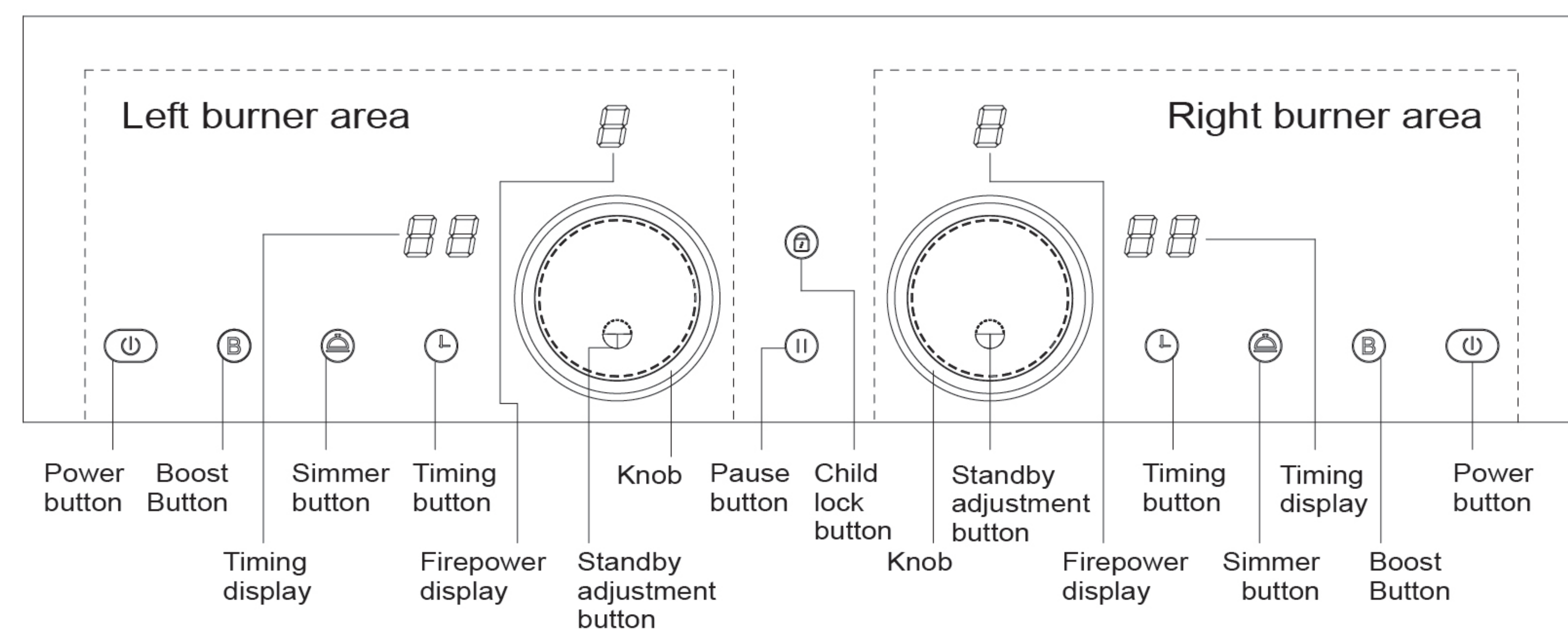
Please perform a test run before installation to ensure your benefit.

Place a pot applicable to the induction hob with a small amount of water on the heating zone of the panel.

- ★ Plug in the power cord and the appliance produces a beep. All digital tubes light up for about 2 seconds, and the induction hob will enter the standby state.
- ★ Test method: place a pot suitable for the induction hob with some water in the heating zone, and touch the "On/Off" button to turn on the appliance. The digital tube displays "-", and the appliance enters the standby state. Adjust the power level by pressing "+". Now it starts to work. If the water is heated, it indicates that the hob is working.

Instructions for Use

Operation panel



1. Introduction to Interface: The whole appliance has two burners on the left and right, with corresponding firepower, timing and multiple function buttons.
2. Power On: Connect the power, the appliance will beep once, all data tubes will be on for about 1 second, and the induction hob will enter the standby state.
3. Standby: One second after power on, the appliance enters the standby state. After the appliance finishes its work, the left and right burners are turned off, the residual heat protection disappears, and the appliance enters the standby state.
4. Power On:
 - 4.1 In the standby state, press the Power button (⏻) corresponding to the left and right burner to turn on it.
 - 4.2 After powered on, turn the knob corresponding to the burner to adjust the firepower that displays the corresponding firepower gear, and the appliance starts to heat up.
 - 4.3 After powered on, press the corresponding Simmer (🔥) or Boost (⚡) button on the burner to enable the corresponding function and start heating, and the corresponding firepower will display the corresponding function.
 - 4.4 When the burner is turned on, if the burner is not set for heating up within 1 minute, it will automatically shut down.

5. Firepower Adjustment

- 5.1 Each time the knob rotates 45° (1/8 circle), the gear changes by 1 position; the burner has 1-9 gears; the clockwise (or counterclockwise) rotation of the knob can increase (or decrease) corresponding firepower gear.
- 5.2 The maximum power of the whole appliance is 3400W, when one burner is on gear 9, top gear of the other one will be 6; and when one burner is on gear 8, top gear of the other one will be 7. Priority should be given to the power of burner operated in later sequence. For example: when one burner has its gear switched up to 9, and the other burner is at a gear higher than 6, the latter will automatically drop to 6 or remain unchanged when its actual gear is lower than 6.
- 5.3 Reference power of each gear: (Gear: W)

| Gear | Simmer | 0 | 1 | 2 | 3 | 4 | 5 | 6 | 7 | 8 | 9 | B |
|----------------|----------------------|------------|--------------------|-----|-----|-----|------|------|------|------|------|------|
| Fire power | 100 | No heating | 300 | 500 | 700 | 900 | 1100 | 1300 | 1600 | 1800 | 2100 | 3000 |
| Heating method | Intermittent heating | No heating | Continuous heating | | | | | | | | | |

- Note: 1. Distribution of the above power may vary due to different cookwares used, and this is only for reference.
 2. The Boost function lasts for 10 minutes by default which can be started again after the default time is up.

6. Simmer Function:

- 6.1 When the burner is turned on or working, press Simmer button (🔥) to allow the corresponding burner to enter Simmer mode and the firepower displays (🔥).
- 6.2 After cooking is completed, enable Simmer function to maintain the temperature at a range of 60~80°C.
- 6.3 Simmer lasts for 2 hours by default and the burner stops heating up when the Simmer time is up.
- 6.4 In Simmer mode, press the Simmer button again to exit the Simmer mode, and the burner will stop heating. In Simmer mode, you are also allowed to directly adjust the gear position or enable other functions, and the corresponding burner will exit the Simmer mode and enter the heating state you have set.

7. Boost Function:

- 7.1 When the burner is turned on or working, press Boost button (⚡) allow the corresponding burner to enter Boost mode. Firepower LED displays (⚡).
- 7.2 Boost mode lasts for 10 minutes each time and it will automatically exit and enter the gear before enabling Boost mode after time is up. If the former gear is 0, the burner will run at gear 9 by default.
- 7.3 In Boost mode, press the Boost button again to exit the Boost mode. The burner exits the Boost mode and enters the gear before enabling Boost mode. If the former gear is 0, the burner will run at gear 9 by default.

8. Manual Timing Function

- 8.1 After the burner starts heating up, press "Timing" button to enter the manual timing state and you can adjust the time by rotating the knob after the timing indicator flashes. The time can be set to maximum 99 minutes.

- 8.2 If there is no operation for 6 seconds, it will exit the manual timing state, or after the timing setting is completed, press the timing button to confirm the time and exit the timing state.
- 8.3 When the time you set is up, the corresponding burner turns off and the appliance continues to beep for 30 seconds. At the moment, you can operate the Power Button to stop the beep.
- 8.4 Long press the Timing Button to quickly turn off manual timing.
- 8.5 Gear switching works independent of manual timing.
9. Default Timing Function: according to the national standard of the induction hob, all burner gears (1-9) have a default time for heating up of 2 hours and the burner turns off after the time is up. After gear switch, the default time will be reset to 2 hours and timing will be restarted.
10. Standby Adjustment Function:
- 10.1 In working state, when the knob is removed, the appliance gives a prompt for 5 seconds. If the knob is put back within 5 seconds, the prompt sound will stop and the appliance will work normally; the appliance will be paused when the knob is not put back within 5 seconds.
- 10.2 When the knob gets lost, the standby adjustment button can be used for firepower and timing adjustment.
- 10.3 Each time you press the standby adjustment button, the gear or time increases by 1; the gear is adjustable within the range of 0~9 levels and the time is adjustable within the range of 0~99 minutes.
- 10.4 Long press the Standby Adjustment Button to quickly increase the firepower level or timing.
- 10.5 In standby state when you turn on the appliance for the first time, if the corresponding knob is detected to be absent and the corresponding standby button is locked, you need to press and hold the button for 3 seconds to unlock.
11. Shut Down: when the burner is working, press the corresponding Power Button and the burner will stop heating.
12. Child Lock:
- 12.1 When the whole appliance is turned on, press the Child Lock Button (Ⓔ) to lock the buttons in the operation area. All the buttons except for the Power Button and the Child Lock Button cannot be operated. At the same time, the indicators for all buttons except for the Power Button and the Child Lock Button will go off.
- 12.2 In the child lock state, press the Power Button to turn off the corresponding burner, and the child lock will not be released after the burner is shut down. When any burner is turned on, press and hold the Child Lock Button for 3 seconds to release the child lock.
- 12.3 In the standby state, when the appliance is turned on for the first time, if both of the two knobs are absent, the appliance will go into child lock state.
13. Pause
- 13.1 When any burner is heated, press the Pause Button (Ⓕ) to pause the whole appliance, and the gear indicator and timing indicator will flash. In the pause state, all the burners stops heating and the timing stops counting.
- 13.2 In the pause state, all buttons except for the Power Button and Pause Button cannot be operated. At the same time, the indicators for all buttons except the Power Button and the Pause Button will go off.

13.3 In the pause state, press the Pause Button to exit the pause function. After exiting the pause state, all burners return to the previous heating state, and the firepower and timing remain unchanged. Press the Power Button to turn off the corresponding burner, and any burner which is turned off will exit the pause function.

13.4 The pause time is 2 hours by default and the appliance will automatically shut down after the pause time expires and go into standby state.

14. Residual Heat Indication: After the cooking is completed and the burner is turned off, if the temperature of the heating area panel is higher than 55°C, the corresponding burner firepower displays H ; if lower than 45°C, the residual heat indication disappears.
15. After the cooking is completed and the burner is turned off, the fan may continue to operate for approx. 1 minute and then stop.
16. Pan-free Reminder: After the burner starts heating and when the appliance detects no pan is in place, the firepower will show “E1” code, and 1 minute later the burner will automatically turn off. The indication “E1” disappears after appropriate cookware is put in place and the corresponding firepower appears.

Precautions for Use

- ★ Please turn off the induction hob before unplugging it.
- ★ Use a dedicated power socket to ensure the power plug connects well with the socket.
- ★ Make sure the cooktop and the bottom of the pot is clean and free of paper, cloth, etc. Make sure the bottom of the pot is close to the cooktop.
- ★ Please reserve radiation space according to the installation instructions, otherwise the performance of the appliance may be damaged.
- ★ keep the vents clear and free of any object. There are many live parts inside the induction hob. Do not use metal rods or needles to touch the air entry and air vent to avoid electric shock or damage to it.
- ★ The induction hob should be placed properly and the vents should not be blocked. In addition, and certain space for air circulation should be left to prevent damage to the power tube due to high temperature of the hob.
- ★ Do not place the induction hob near other high-temperature heat sources or in moist places when using to protect it from high temperature or moisture.
- ★ The voltage of the induction hob should be consistent with the rated voltage. Too high or too low voltage will damage the induction hob. Use a voltage regulator to ensure that the voltage meets the requirements if necessary.

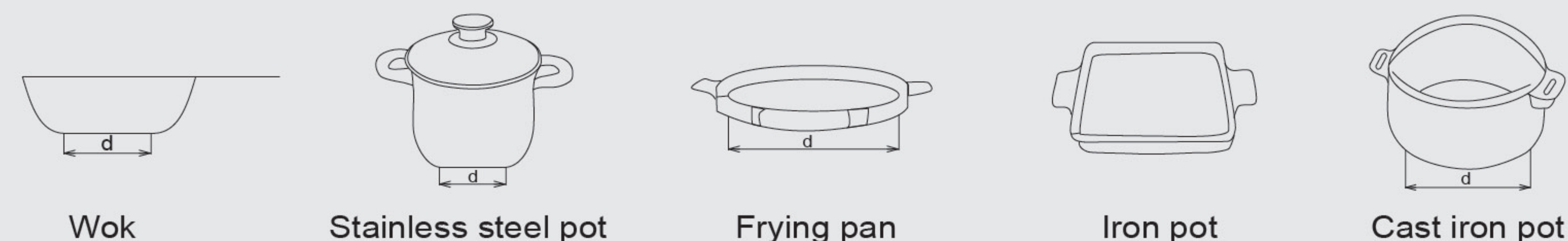
Cleaning

- ★ Please unplug the power plug from the power socket and let the panel cool down before cleaning.
- ★ Please clean it with mild detergent, and avoid using solvents such as strong acids and alkalis; do not wipe it with gasoline, toluene and other organic solvents.
- ★ Do not rinse it with water to avoid major failure or affecting the safety performance of the product.
- ★ If any plastic products, kitchen foil, sugar or sugary foods are melted off on the panel, please clean them with a soft dry cloth immediately before the panel cools down to prevent damage to it; it is forbidden to touch the panel with hands!
- ★ Please handle the induction hob with care and do not shake it violently during cleaning and maintenance.
- ★ Regularly clean and maintain the induction hob to prevent insects or other foreign objects from entering the fan and the induction hob, which will cause failure.

Instructions for Selection of Cookware

Proper


Iron (enamel, stainless steel, cast iron, etc.) cookware with a bottom diameter of 140mm to 260mm.



Improper

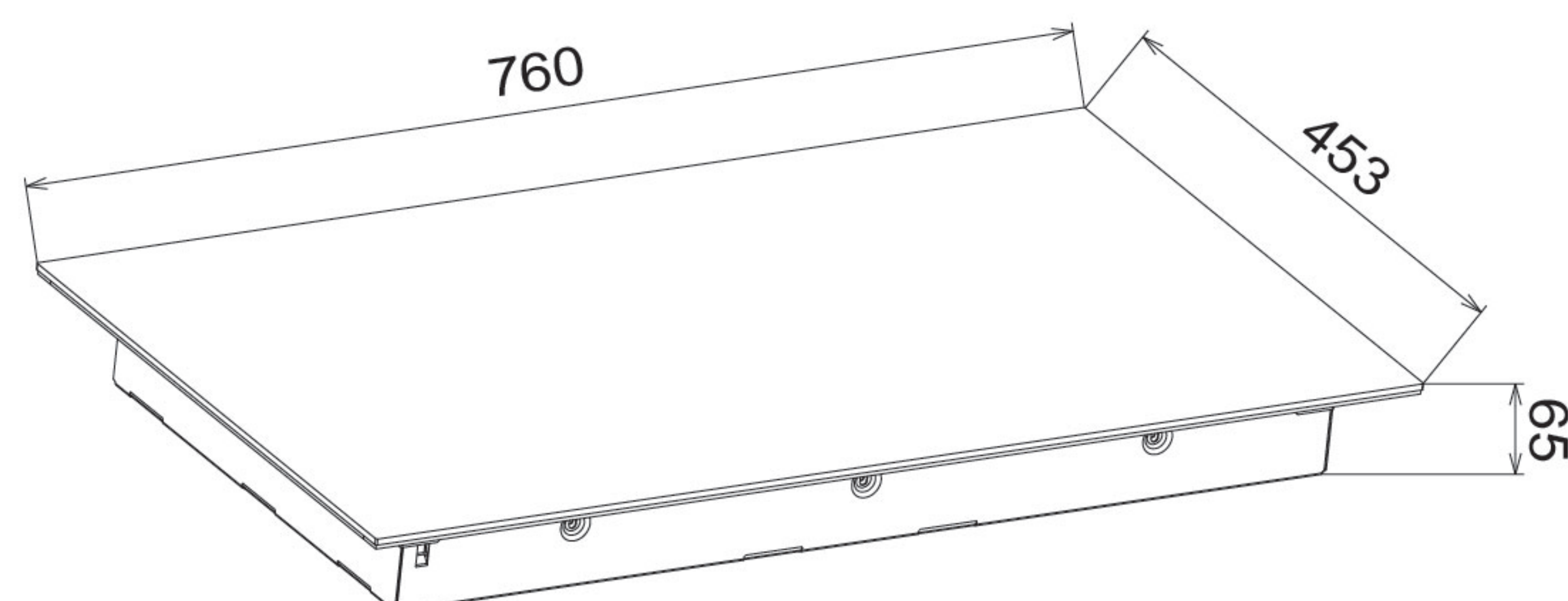
Cookware with the bottom made of ceramic, heat-resistant glass, copper, aluminum and aluminum alloy or a diameter less than 140mm.



 Please use cast iron cookware with a thickness of more than 2.5 mm because it produces low electromagnetic noise and its thermal efficiency is equivalent to that of a standard pot. Cookware with a composite bottom may produce harsh noises during use due to gaps between the inner and outer layers of the bottom.

Performance and Specification


| | | | |
|---|--|-------------------|-------|
| Model | EIG76203 | Rated power input | 3400W |
| Rated voltage | 220-240V~ | Rated frequency | 50Hz |
| Length of power cable | 1500mm | | |
| Rated input power of left burner | 3000W | | |
| Rated input power of right | 3000W | | |
| Size of the complete appliance: length(X) × width (Y) × height (Z) | 760mm×453mm×65mm | | |
| Appearance | Combination of glass-ceramic and aluminum trim strip | | |



Problem Solving Guide

Occurrence of the circumstances similar to the following does not mean failures of the induction hob. Please check it independently before sending it for maintenance.

| Failure | Checking and trouble shooting |
|--|--|
| The induction hob does not beep when it is plugged into the power and the "Power" button indicator does not light up | ① Whether the power plug is properly connected ② Whether the switch, power socket, fuse or power cable is damaged ③ Whether there is power outage |
| Continuously emit short beep for 60 seconds as warning before stopping | ① Whether the pot is suitable ② Whether the pot is placed in the dead center on the surface ③ Whether the diameter of the pot bottom is larger than 12cm |
| Heating suddenly stops when in use | ① Whether the ambient temperature is too high ② Whether the air inlet/outlet is blocked ③ Under the insulation state, it means it reaches the pre-set temperature ④ The protective device works. Confirm this after it cools down for several minutes |

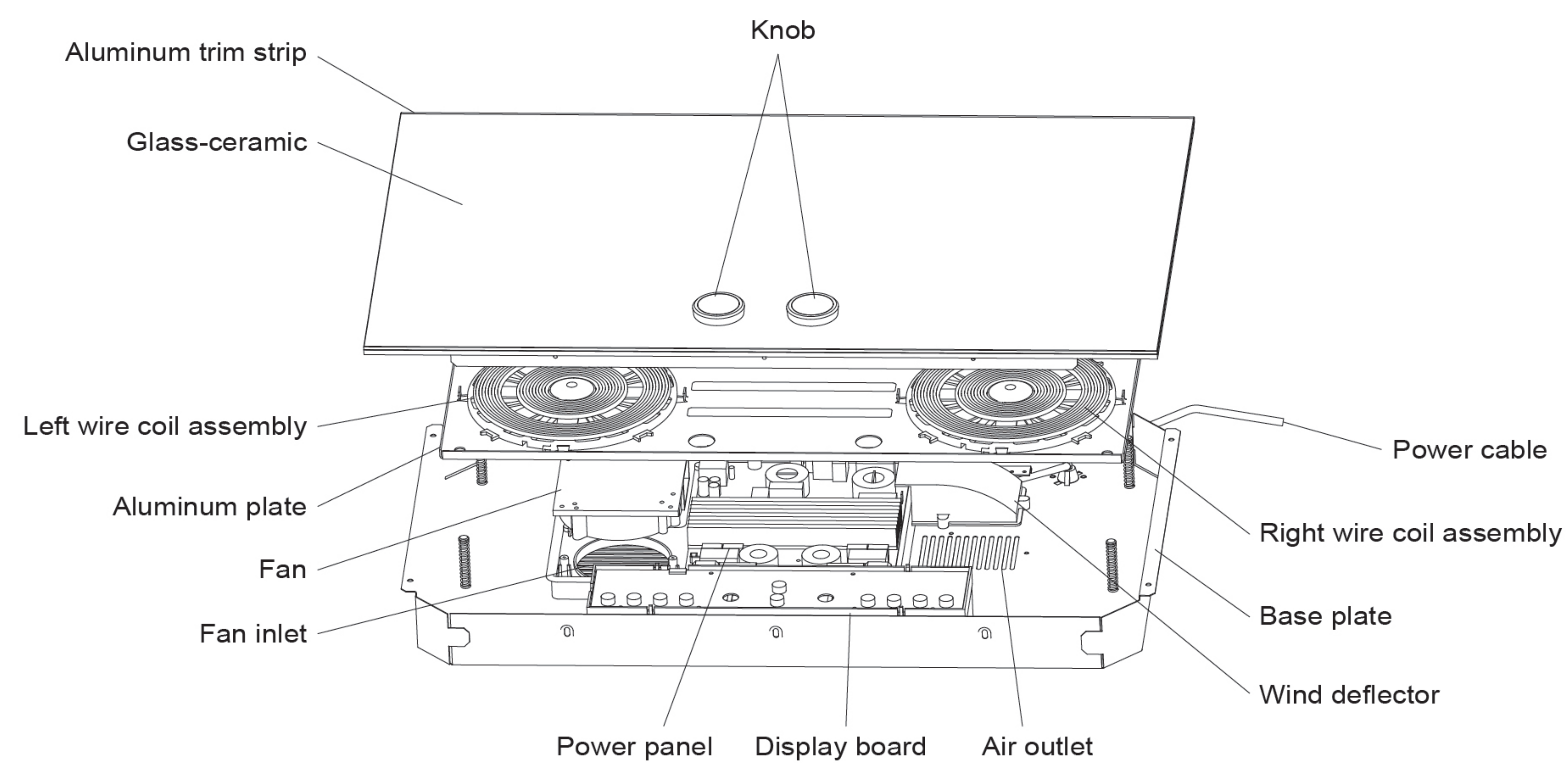
 **Warning:** 1.If the problems cannot be solved through the above checking, please call the national service hotline of Fotile.
 2.The appliance has hazardous voltage and pulsed high voltage. It is strictly forbidden to disassemble it by unauthorized maintenance personnel!
 3.If the power cord is damaged, it should be replaced by qualified personnel of the service center of Fotile or similarly qualified persons in order to avoid a hazard.

Attached: Code of Failure

| Code | Failure | Description |
|------|---|---|
| E1 | No pot is placed on the hob or the pot is not suitable | The hob will shut down after 1 minute, or restart after a pot is detected. |
| E2 | Over temperature, open circuit or short circuit of IGBT thermistor | It will automatically shut down after 1 minute of failure, or restart if over-temperature disappears within 1 minute. |
| E3 | Overvoltage protection of power supply | It will automatically shut down after 1 minute of failure, or it can automatically recover after the power supply voltage returns to normal. |
| E4 | Undervoltage protection of power supply | It will automatically shut down after 1 minute of failure, or it can automatically recover after the power supply voltage returns to normal. |
| E5 | Over temperature, open circuit or short circuit of thermistor at burner top | Failure to restore automatically, showing automatic shutdown after the failure occurs for 1 minute. Or, during the failure, restoration is possible after turning on and off. |

| Code | Failure | Description |
|------|-------------------------------------|--|
| E7 | Failure of temperature controller | Damage to temperature controller or power panel |
| H1 | Display board communication failure | It will automatically shut down after 1 minute of failure, or the communication will be restored within 1 minute if the failure automatically disappear. |

Explosive View



Customer Service

In case of any abnormality during the use of the induction hob, please stop using it and cut off the power supply. Please call local service hotline of Fotile.

Special note: for safety and proper operation, the installation and maintenance of the product should be performed by qualified personnel assigned by the Company. If the product stops work due to installation or maintenance by customer or others entrusted by customer and not assigned by Fotile, the free maintenance and repair service will be inaccessible, even it is within the warranty period.

⚠ Warning: (1) Only those who are professionally trained and qualified in induction hob maintenance can maintain the products. Other personnel should not maintain the induction hob without permission to avoid serious consequences.
 (2) Thermally conductive silicone grease should be applied to the fuse after the induction hob is disassembled to ensure its effectiveness.

Free warranty precautions:

1. Within the free warranty period, users should show the valid invoice certificate of the product (the product warranty card provided by the Company randomly) when repair is required. The valid invoice period starts upon the receipt of the product. Users shall properly keep the valid invoice certificate and the purchase invoice. If valid invoice certificate is lost, the warranty period shall be calculated by postponing the production date for 3 months according to the product code.
2. The following items are not covered by the free warranty and repair will be charged on condition that it is repairable and "Product Number" can be clearly identified on the packing box or the label of the complete appliance:
 - ◆ Damage caused by unauthorized maintenance personnel due to improper handling, installation, use, maintenance and storage;
 - ◆ Damage caused by demolition by those who do not undertake Warranty card maintenance;
 - ◆ Warranty card certificate and valid invoice are not available;
 - ◆ The model on the Warranty card certificate is different from that of the product for maintenance or the model is altered;
 - ◆ Damage caused by force majeure;
 - ◆ All damages and losses caused by factors beyond the control of the Company such as the product use environment (power supply, temperature, humidity, etc.), are not within the scope of free warranty. The Company does not assume any responsibility.