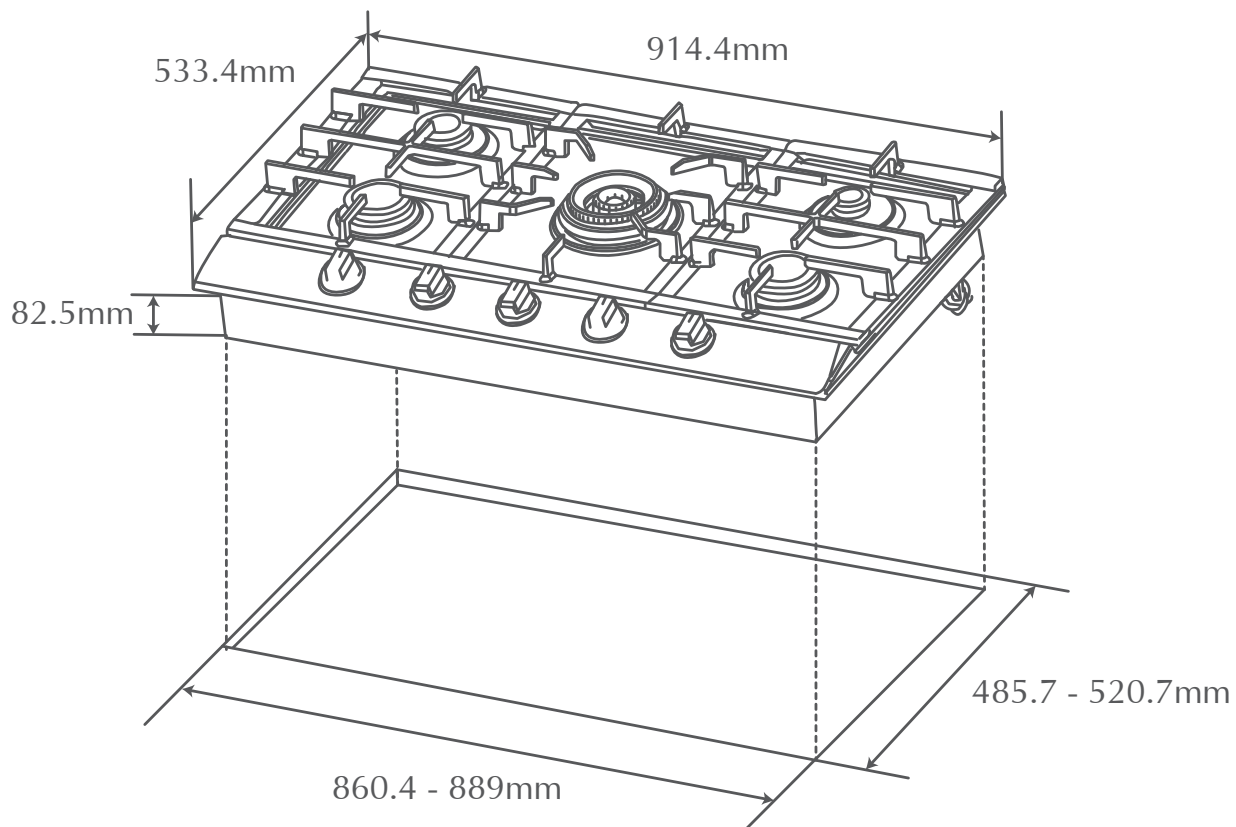


INSTALLATION DIAGRAM

Hob GLS36503



TO BE CONNECTED DIRECTLY TO A MIN. 13AMP CIRCUIT BREAKER